

Mussell Wheels

*DFP =
Double Flange
Plain Wheel*

*Dimensions are in
Millimeters &
Inches.*

*All wheels
are made of
Ductile Cast
Grade 80-55-06.*

*Custom
4140 Material
Wheels Available
Upon Request.*

*Special V-Groove
Wheels Upon Request..*

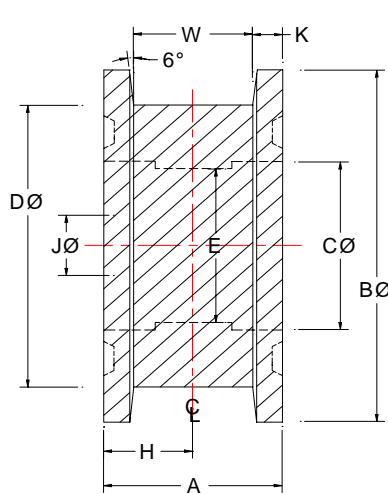
** Based Upon Max.
Effective Rail Head
Width*

MUSSELL CRANE MFG.

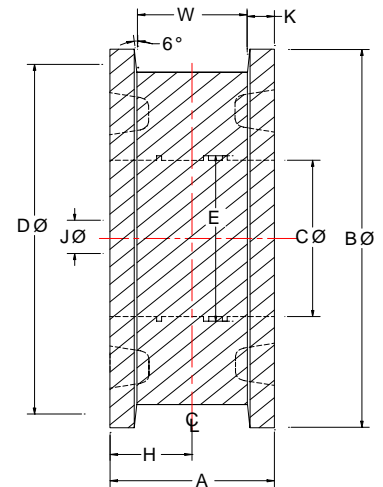
620-B Wellington Avenue,
P.O. Box 253, Station Main,
Chilliwack, B.C. Canada
V2P 6J1
Phone: 604-792-5023
Fax: 604-792-5038
Email: info@mussellcrane.com

"Proudly Canadian"

STANDARD DOUBLE FLANGE PLAIN WHEEL DIMENSIONAL DATA



120 mm & 153 mm



200 mm, 253 mm & 363 mm

Model	DFP120	DFP153	DFP200	DFP253	DFP363
A	66.68 2.625"	82.50 3.248"	83.95 3.305"	101.6 4.000"	120.65 4.750"
B	149.96 5.904"	181.58 7.149"	228.09 8.980"	289.56 11.4"	410.21 16.150"
C	72 2.834"	100 3.936"	85 3.346"	120 4.724"	149.99 5.905"
D (Thread)	120 4.724"	153 6.024"	200 7.874"	253 9.950"	363 14.291"
E (Clear through)	63.5 2.500"	92.71 3.650"	89.10 3.508"	127.10 5.004"	156.59 6.165"
H	33.34 1.3125"	41.25 1.624"	42.11 1.658"	50.8 2.000"	60.325 2.375"
J (Axle)	30 1.181"	45 1.771"	45 1.771"	55 2.165"	70 2.756"
K	11.11 .4375"	12.67 .4999"	13.4 .5275"	16.68 .6565"	19.05 .750"
W	44.45 1.750"	57.15 2.250"	57.15 2.250"	68.28 2.688"	82.55 3.250"
Number of Teeth	N.A.	N.A.	N.A.	N.A.	N.A.
Number of Bearings	2	2	3	2 (or 3)	2
Maximum Wheel Load*	2971 kg 6550 lb	5443 kg 12000 lb	5770 kg 12700 lb	6825 kg (9117) 15050 lb (20100)	14197 kg 31300 lb