

Mussell Wheels

SFP =
Single Flange
Plain Wheel

SFG =
Single Flange
Geared Wheel

All dimensions are
in millimeters
& inches.

All wheels
are made of
Ductile Cast
Grade 80-55-06.

Maximum wheel
loads are based upon
maximum use or
rail head width.

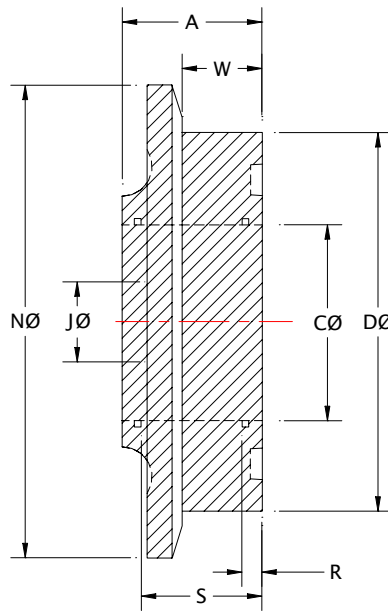
Tapered running
surface upon request.

MUSSELL CRANE MFG.

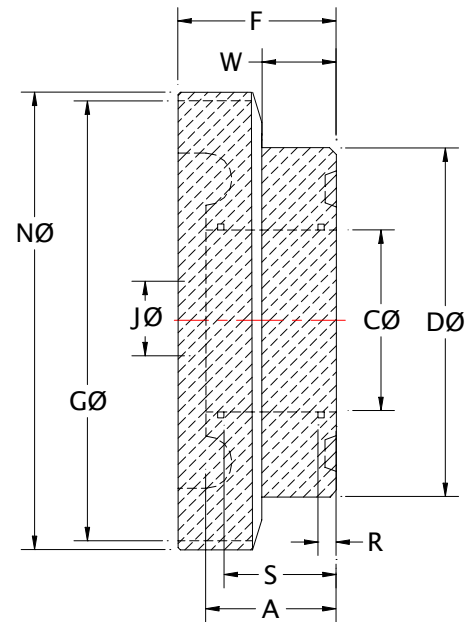
620-B Wellington Avenue,
P.O. Box 253, Station Main,
Chilliwack, B.C. Canada
V2P 6J1
Phone: 604-792-5023
Fax: 604-792-5038
Email: info@mussellcrane.com

"Proudly Canadian"

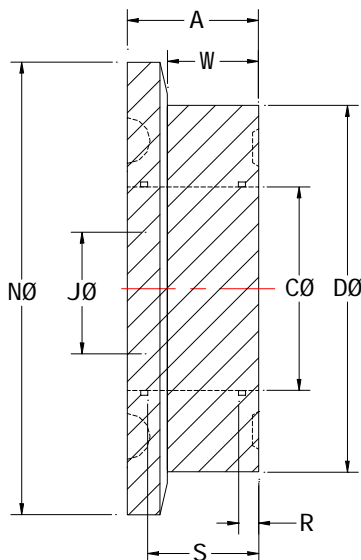
STANDARD SINGLE FLANGE WHEELS DIMENSIONAL DRAWINGS



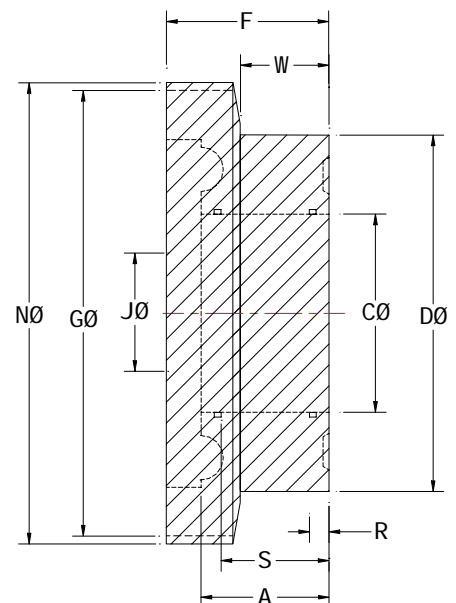
SFP120



SFG120



SFP153 & SFP200



SFG153 & SFG200